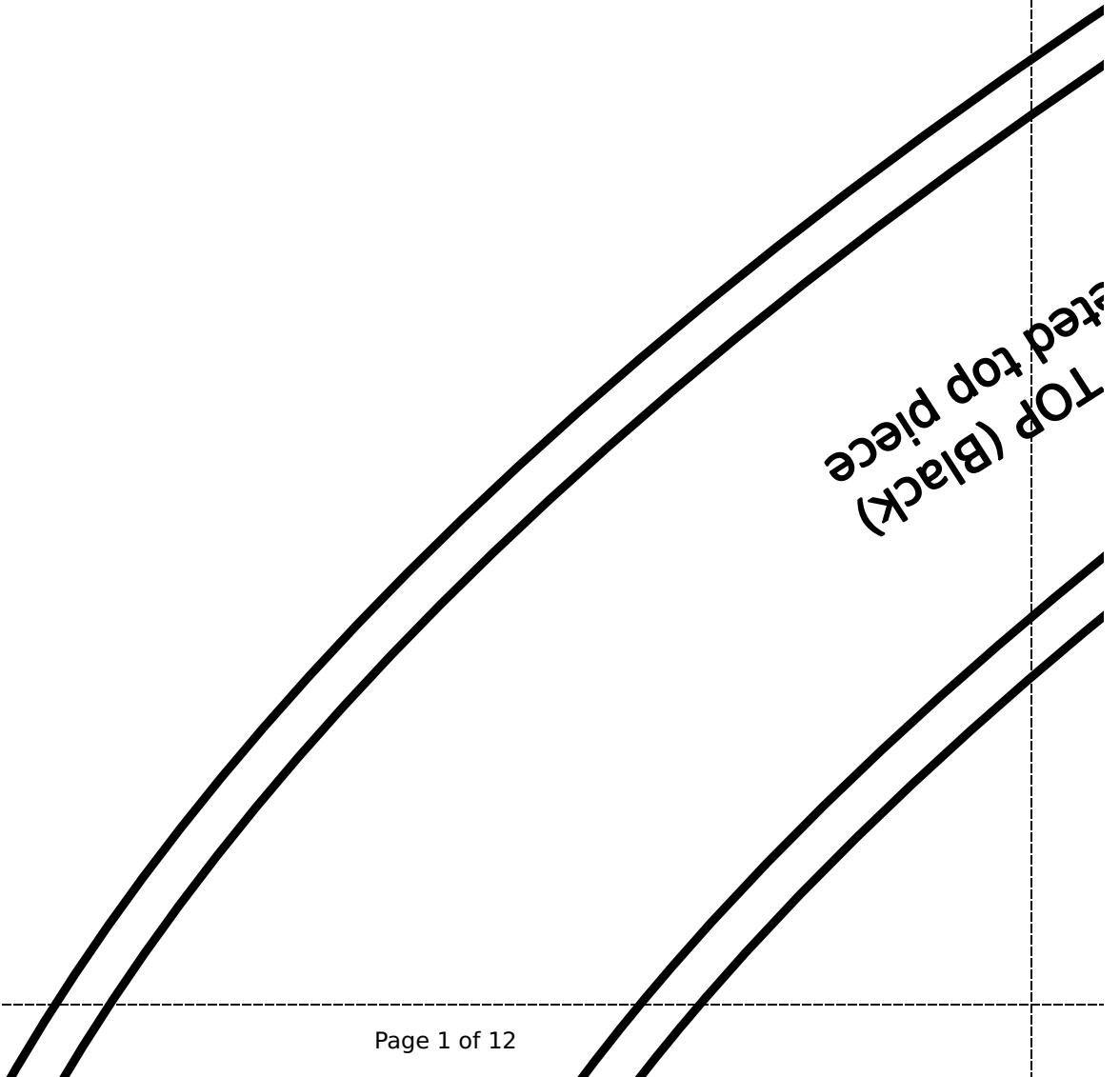
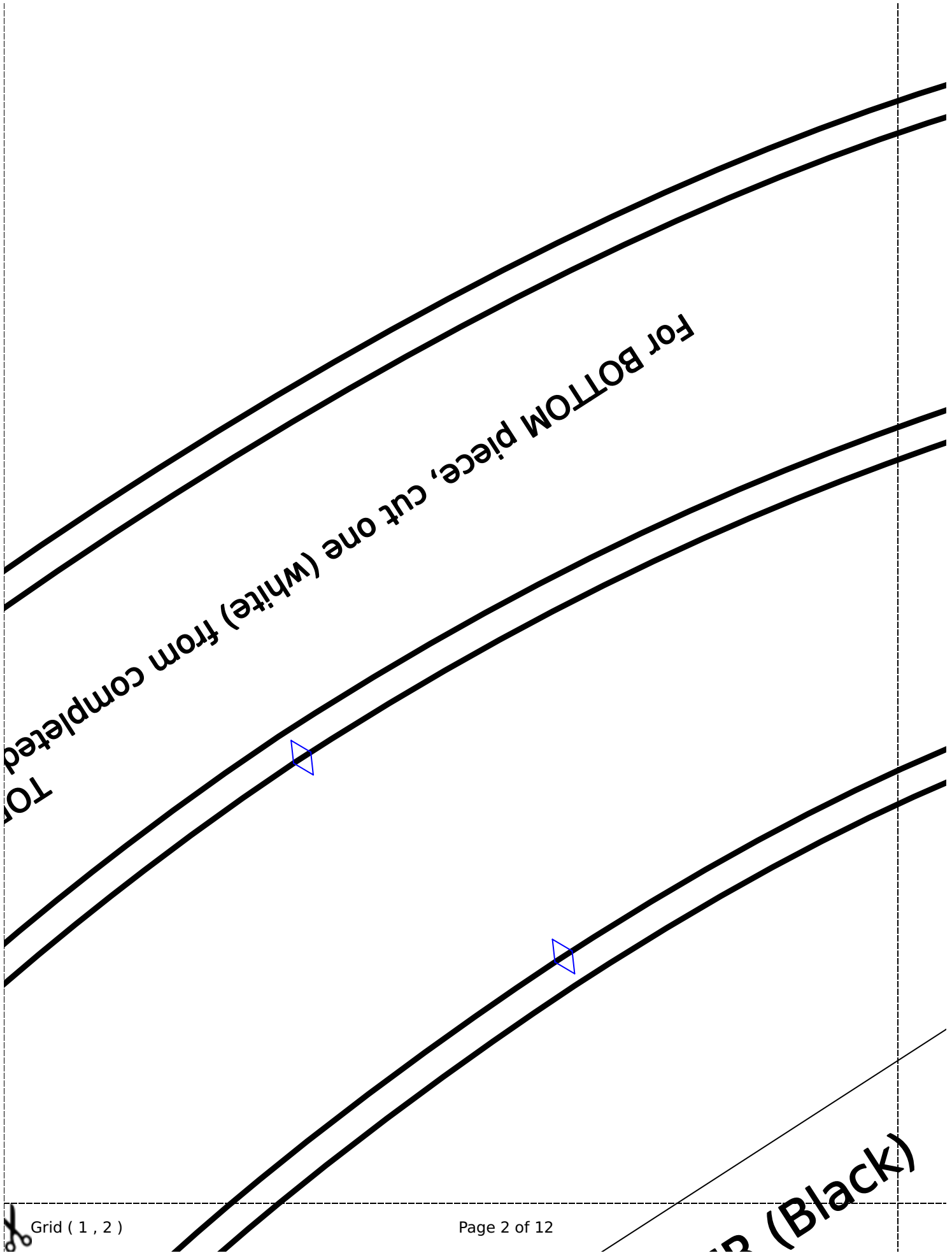


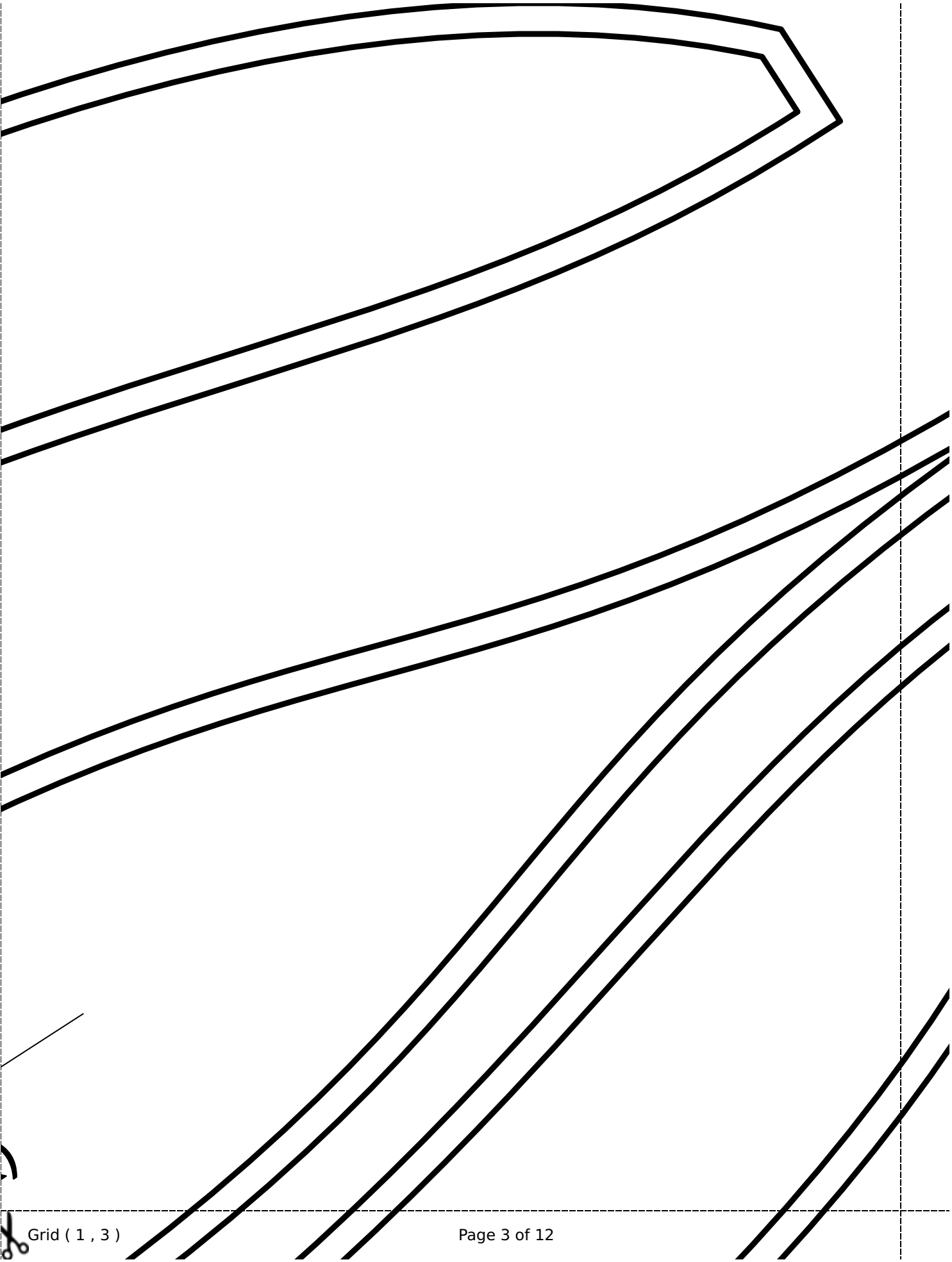
TOP (Black)
ated top piece

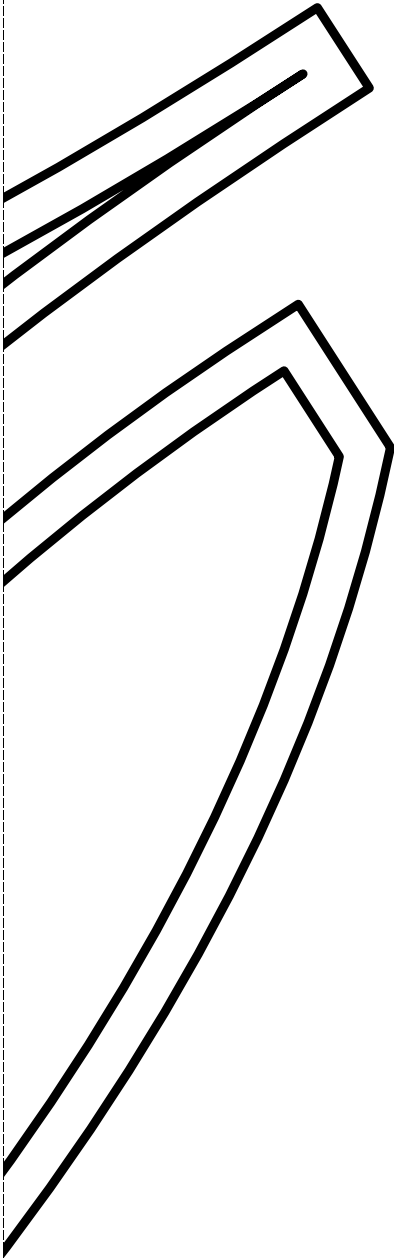


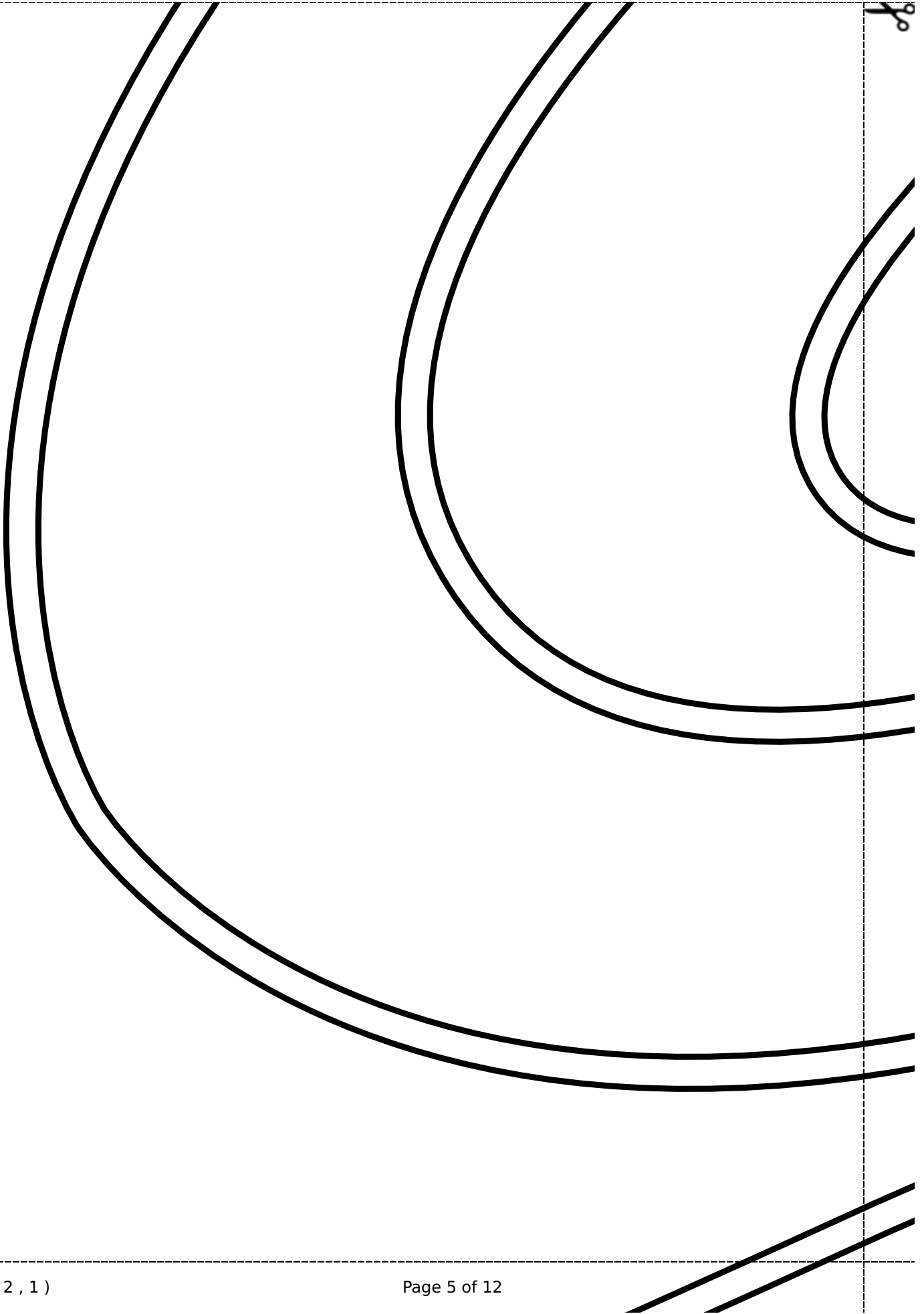


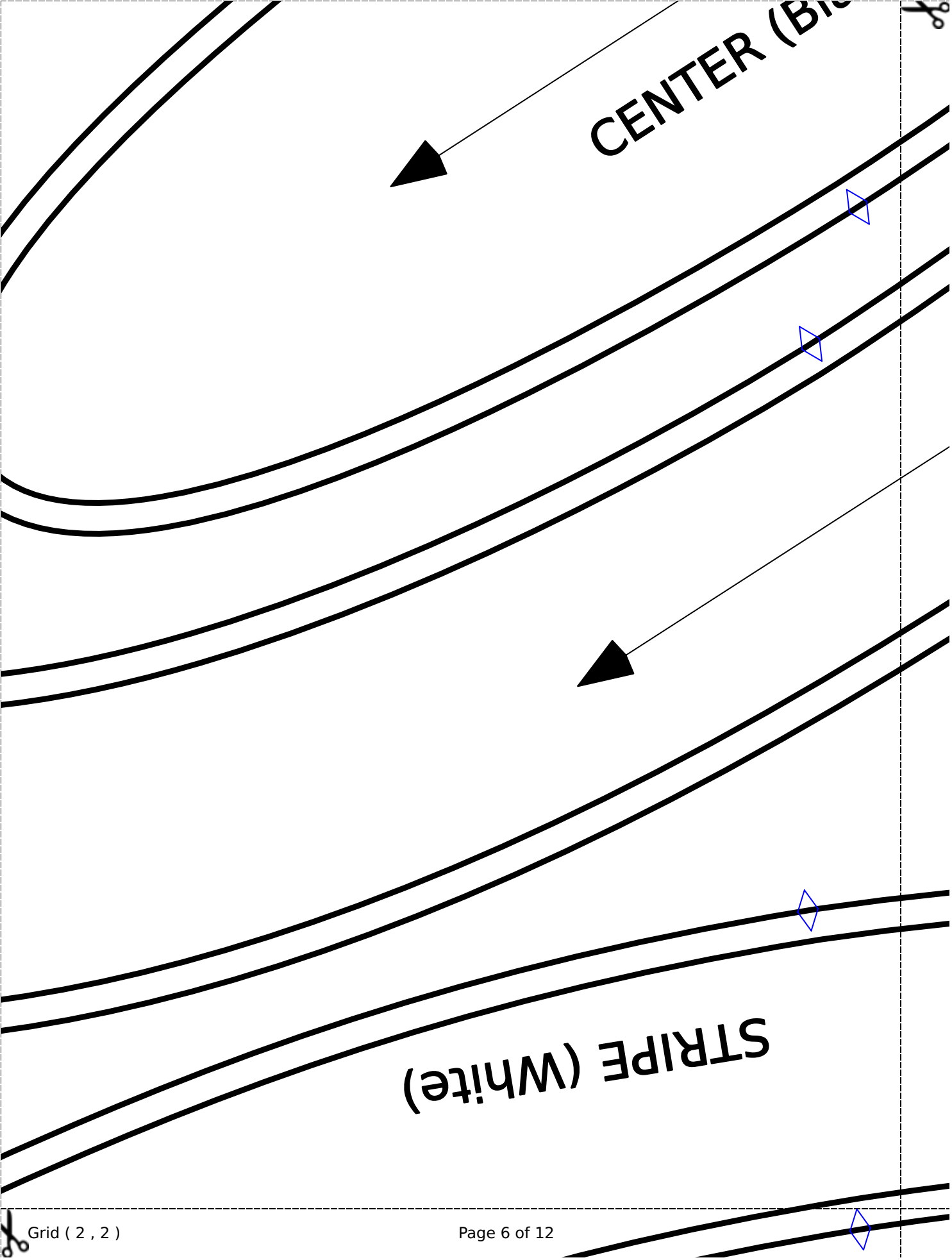
For BOTTOM piece, cut one (white) from completed TOP

... (Black)





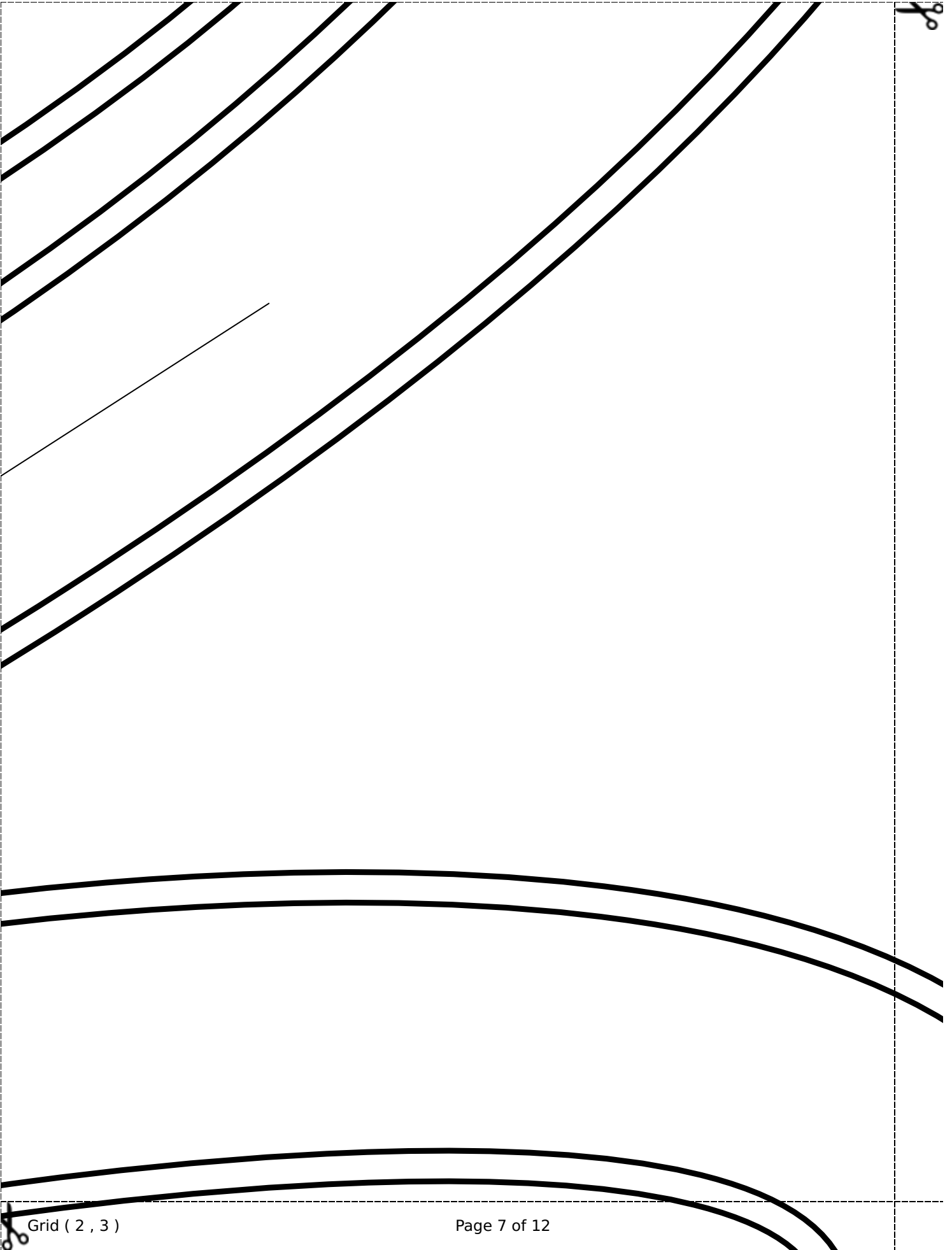




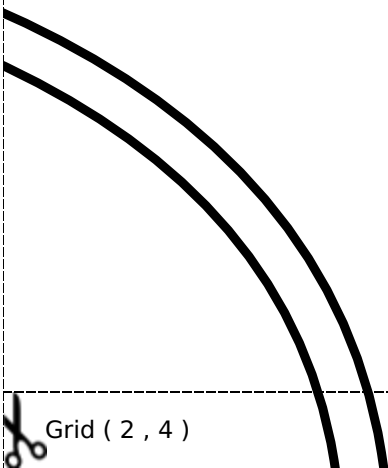
CENTER (Big)

STRIPES (White)





Grid (2 , 3)



Grid (2 , 4)

